



**Superior technology  
for contract cleaning**

**Hako**

*Made in Germany*

# A machine with alternatives!

## Ride-on scrubber-drier Hakomatic B 750 R



**Extremely economical scrubbing whilst comfortably seated. With plate or cylindrical brushes. Up to 4.900 m<sup>2</sup> cleanliness/hour.**

**Hako –  
perfect from  
product to  
service**

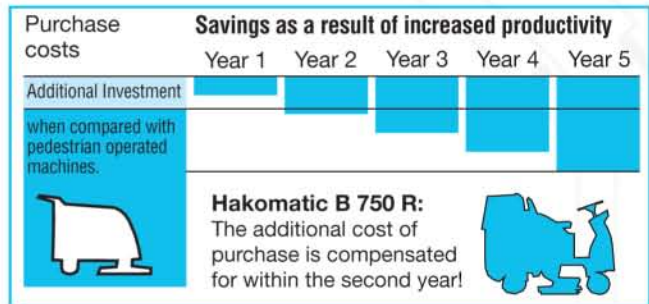
# Hakomatic B 750 R: The clever alternative to pedestrian operated machines in the 75 cm range.

## The advantages at a glance:



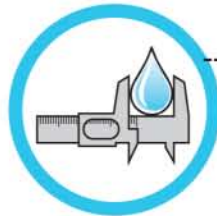
### Point 1

Excellent price/  
performance ratio.  
Particularly economical  
machine life costs.



### Point 2

Even more manoeuvrable  
than pedestrian operated  
machines: turning circle only  
170 cm in aisles; as a result  
of intelligent construction with  
"rear turning" and special  
squeegee kinematics.



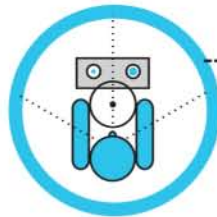
### Point 4

Large area performance as a  
result of economical, electro-  
nically controlled water dosa-  
ge with memory function and  
Hako-Aqua-Control System  
(ACS).



### Point 3

Cylindrical brush with integra-  
ted sweeping function saves  
additional work. Optimum  
scrubbing performance even  
on structured floors and tiled  
surfaces.



### Point 5

Ergonomically designed  
workplace with optimum  
view of the working tools and  
the area to be cleaned.



The Hakomatic B 750 R offers optimum operator comfort with excellent view of all operational controls.



Equipped with plate or cylindrical brush unit the Hakomatic B 750 R can master any situation.



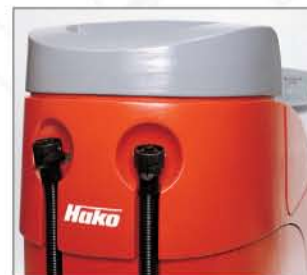
# Hakomatic B 750 R: Scrubbing whilst comfortably seated. With plate or cylindrical brushes.

Well thought-out, down to the very last detail:



**Clearly laid out control panel**  
All operational controls are in direct view and reach of the operator. Adapts to the dirt at the push of a button.

Comfortable driver's seat



**Handy**  
Mountings and storage area for any cleaning utensils to be transported and dosable outlet valves for quick, clean tank emptying.

Working light



Low maintenance operation

Non-slip tyres



**Strong**  
The large volume tank makes it possible to work for long periods of time without considerable breaks. Large tank opening for cleaning.



**Safe**  
The parabolic squeegee vacuums up all the water completely. The floor is dry enough to walk on.



**Highly manoeuvrable**  
Turning circle only 170 cm in aisles. Made possible due to rear turning, special squeegee kinematics and front wheel drive with 90° steering angle in both directions.



**A choice of 2 brush systems**  
Plate or cylindrical brushes ensure that the machine can be adapted to suit the specific application conditions. Optimum scrubbing even on structured floors and tiled surfaces.



**Hako-Aqua-Control-System (ACS)**  
Up to 50% saving of water and cleaning agents. TÜV tested and proven. Electronically controlled water dosage with memory function.



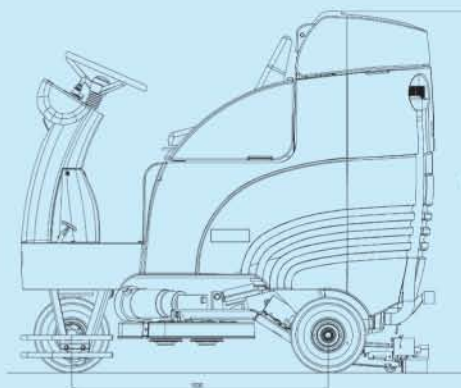
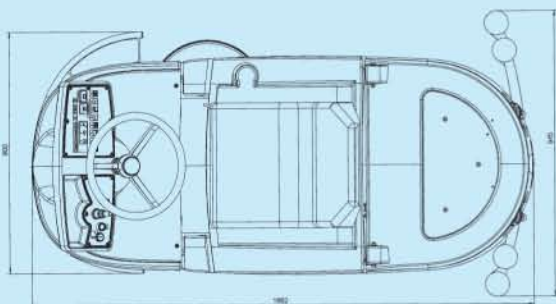
**Cost-saving**  
The onboard diagnostic unit enables the search for malfunctions and repair times to be shortened dramatically.



# The technical data at a glance:

## Scrubber-drier Hakomatic B 750 R

Working width (plate/cylindrical)	cm	75/70	<b>Brush Versions:</b>	<b>Plate</b>	<b>Cylindrical</b>
Effective suction width	cm	96	Number of brushes	Units	2
Area performance, up to	m <sup>2</sup> /h	4.900	Brush diameter	cm	38
Working speed, up to	km/h	6,5	Brush revolutions	rpm	195
Running time, up to	h	4	Brush pressure	kg	50
Voltage/protection class	V	24			
Protection class (VDE 0700)		III	<b>Dimensions and Weights:</b>		
Air volume, vacuum	m <sup>3</sup> /h	118	Length with squeegee	cm	166
Pressure	mbar	170	Height	cm	144
Capacity: drive motor	W	750	Width with squeegee	cm	96
Capacity: plate brush motor	W	820	Width without squeegee	cm	80
Capacity: cylindrical brush motor	W	2 x 820	Turning circle in aisles	cm	170
Capacity: suction motor	W	550	Specific wheel pressure	N/mm <sup>2</sup>	0,6
Tank, clean/dirty water	litres	116/115	Unladen weight, empty, without batteries	kg	340
Dirt hopper, sweeping	litres	5	Total weight, ready for operation	kg	716



The Hakomatic B 750 R offers the highest product quality and long machine life as a result of modern manufacturing processes and a strict quality assurance system. The Hakomatic B 750 R has been manufactured in accordance with the necessary CE guidelines (CE conformity) and fulfils the European Safety Norms EN 60 204 and EN 60 335.

In the interest of technical progress we reserve the right to alter equipment without prior notice.

## Hako is the right partner:



**Cleanliness with safety.**  
Hako machines adhere to strict quality regulations/standards. Quality made by Hako. We also take care of what we sell – world-wide.



**Sales, hire, leasing, rental.**  
Hako allows you to individually plan capital investments depending upon customer's demands and the available means. We are glad to give advice.



**We are there for you day and night.**  
Reliable after-sales service and excellent logistics guarantee that machines can be ready for operation around the clock.



**Hako is never far away.**  
The efficient Hako sales and service network means that Hako is always close at hand.

# Hako

Superior technology for a cleaner, more pleasant environment.

Hako-Werke GmbH  
Hamburger Straße 209-239  
D-23843 Bad Oldesloe  
Phone: ++49(0)4531 806-0  
Fax: ++49(0)4531 806-338  
Internet: [www.hako.com](http://www.hako.com)  
e-mail: [info@hako.com](mailto:info@hako.com)



### Industrial Multiclean Systems

912, Maradana Road, Colombo 08, Sri Lanka.  
Tele: +94 11 2698373 Hotline: +94 777 277273  
Fax: +94 11 2699927 Email: [ims.roots@gmail.com](mailto:ims.roots@gmail.com)